

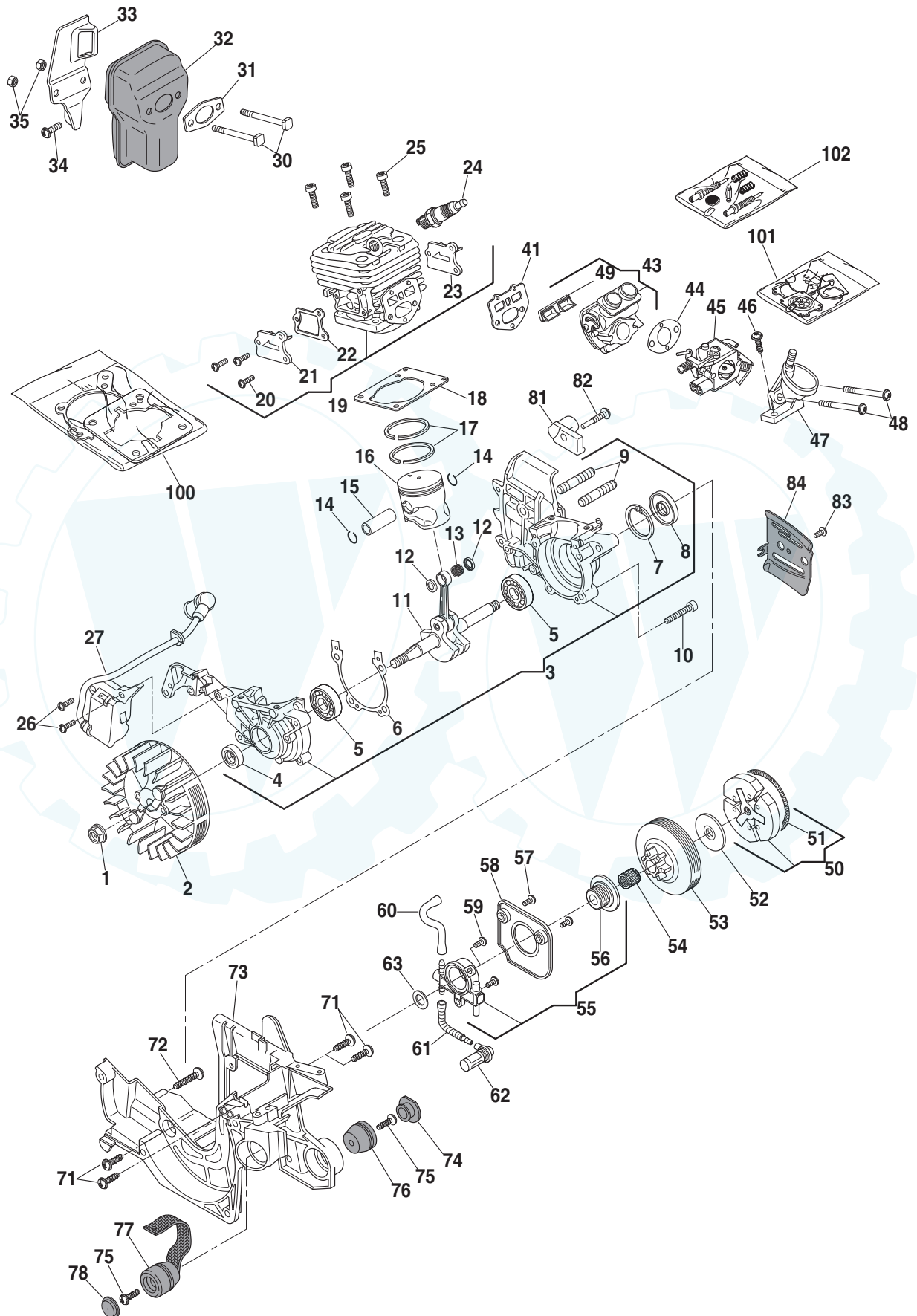
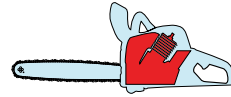
P

420

2008

251.0

1 / 3



POS.	CODE	Q.TY	DESCRIZIONE	DESCRIPTION	DESCRIPTION	BESCHREIBUNG	REMARKS
1	6995173	1	DADO	NUT	ECROU	MUTTER	.
2	6995289	1	ASS. VOLANO MAGNETE	FLYWHEEL ASSY	VOLANT AIMANT	SCHWUNGRAD MAGNET	.
3	6995281	1	ASS.CARTER MOTORE	CRANKASE ASS.Y	ENS. CARTER MOTEUR	PAAR MOTORABDE- CKUNG	.
4	6995278	1	ANELLO DI TENUTA	SEAL RING	ANNEAU DE TENUE	DICHTRING	.
5	6995277	2	CUSCINETTO	BEARING	ROULEMENT	LAGER	.
6	-	1	GUARNIZIONE	GASKET	GARNITURE	DICHTUNG	KIT POS. 100
7	6995255	1	ANELLO ELASTICO	ELASTIC RING	ANNEAU ÉLASTIQUE	ELASTISCHER RING	.
8	6995257	1	ANELLO DI TENUTA	SEAL RING	ANNEAU DE TENUE	DICHTRING	.
9	6995028	2	PRIGIONIERO BARRA	STUD	PRISONNIER GUIDE	STIFTSCHRAUBE STANGE	.
10	6995276	4	VITE	SCREW	VIS	SCHRAUBE	.
11	6995314	1	ASS. ALBERO MOTORE	CRANKSHAFT	ARBRE MOTEUR	SET MOTORWELLE	.
12	6995265	2	RONDELLA	WASHER	RONDELLE	UNTERLEGSCHIEBE	.
13	6995304	1	CUSCINETTO	BEARING	ROUL. À BILLES	KUGELLAGER	.
14	6995256	2	FERMO SPINOTTO	WASHER, PISTON PIN	CIRCLIP POINTEAU	ANSCHLAG ZAPFEN	.
15	6995313	1	SPINOTTO PISTONE	PISTON PIN	POINTEAU PISTON	KOLBENBOLZEN	.
16	6995287	1	PISTONE	PISTON	PISTON	KOLBEN	.
17	6995258	2	FASCIA ELASTICA	PISTON RING	COLLIER ÉLASTIQUE	KOLBENRING	.
18	-	1	GUARNIZIONE	GASKET	GARNITURE	DICHTUNG	KIT POS. 100
19	6995284	1	ASS. CILINDRO	CYLINDER ASSY	ENS.CYLINDRE	SET ZYLINDER	.
20	6995259	6	VITE	SCREW	VIS	SCHRAUBE	.
21	6995320	1	COPERCHIO	COVER	COUVERCLE	DECKEL	.
22	6995322	2	GUARNIZIONE	GASKET	GARNITURE	DICHTUNG	.
23	6995321	1	COPERCHIO	COVER	COUVERCLE	DECKEL	.
24	3210024	1	CANDELA	SPARK PLUG	BOUGIE	ZÜNDKERZE	.
25	6995319	4	VITE	SCREW	VIS	SCHRAUBE	.
26	6995261	2	VITE	SCREW	VIS	SCHRAUBE	.
27	6995290	1	BOBINA ELETTRONICA	ELECTRONIC COIL	BOBINE ÉLECTRONIQUE	ELEKTRONIKSPULE	.
30	6995293	2	VITE	SCREW	VIS	SCHRAUBE	.
31	-	1	GUARNIZIONE	GASKET	GARNITURE	DICHTUNG	KIT POS. 100
32	6995292	1	ASS. SILENZIATORE	MUFFLER ASSY	SILENCIEUX	SET SCHALLDÄMPFER	.
33	6995294	1	DEFLETTORE	DEFLECTOR	DEFLECTEUR	ABWEISER	.
34	6995062	1	VITE	SCREW	VIS	SCHRAUBE	.
35	6995064	2	DADO	NUT	ECROU	MUTTER	.
41	-	1	GUARNIZIONE	GASKET	GARNITURE	DICHTUNG	KIT POS. 100
43	6995285	1	COLLETTORE ASPIRA- ZIONE	INTAKE MANIFOLD	COLLECTEUR D'ASPI- RATION	KOLLEKTOR ANSAUGUNG	.
44	-	1	GUARNIZIONE	GASKET	GARNITURE	DICHTUNG	KIT POS. 100
45	6995291	1	CARBURATORE	CARBURETTOR	CARBURATEUR	VERGASER	.
46	23878013/0	1	VITE	SCREW	VIS	SCHRAUBE	.
47	6995267	1	COLLETTORE ARIA	AIR MANIFOLD	COLLECTEUR AIR	LUFTKOLLEKTOR	.
48	6995271	2	VITE	SCREW	VIS	SCHRAUBE	.
49	6995323	1	GUARNIZIONE	GASKET	GARNITURE	DICHTUNG	.
50	6995282	1	ASS. FRIZIONE	CLUTCH ASS.Y	FRICITION	SET KUPPLUNG	.
51	6995272	1	MOLLA	SPRING	RESSORT	FEDER	.
52	6995266	1	RASAMENTO CAMPANA	SPROCKET WASHER	RONDELLE CLOCHE	SCHEIBE GLOCKE	.
53	6995269	1	ASS.CAMPANA FRIZIONE	DRUM ASS'Y, CLUTCH	CLOCHE FRICTION	SET KUPPLUNGSGLOCKE	.
54	6995230	1	GABBIA A RULLI	NEEDLE BEARING	CAGE À ROULEMENTS	WALZENKÄFIG	.
55	6995311	1	ASS. POMPA OLIO	OIL PUMP ASSY	POMPE À HUILE	SET ÖLPUMPE	.
56	6995270	1	VITE SENZA FINE	FEMALE SCREW	VIS SANS FIN	ENDLOSSCHRAUBE	.
57	6995261	4	VITE	SCREW	VIS	SCHRAUBE	.

POS.	CODE	Q.TY	DESCRIZIONE	DESCRIPTION	DESCRIPTION	BESCHREIBUNG	REMARKS
58	6995305	1	COPERCHIO POMPA	COVER PUMP	COUVERCLE POMPE	DECKEL ÖLPUMPE	.
60	6995295	1	TUBO	TUBE	TUBE	ROHR	.
61	6995280	1	TUBO PESCANTE OLIO	PICKUP OIL	TUYAU PLONGEUR HUILE	TREISTOFFZUFUHR	.
62	6995296	1	ASS. FILTRO OLIO	OIL FILTER ASS.Y	FILTRE À HUILE	SET ÖLFILTER	.
63	6995223	1	RONDELLA	WASHER	RONDELLE	UNTERLEGSCHIEBE	.
71	6995062	4	VITE	SCREW	VIS	SCHRAUBE	.
72	6995002	1	VITE	SCREW	VIS	SCHRAUBE	.
73	6995297	1	ASS.CARTER MOTORE	CRANKASE ASS.Y	ENS. CARTER MOTEUR	PAAR MOTORABDE- CKUNG	.
74	6995068	1	TAPPO PER GOMMINO ANTIVIB	CAP	BOUCH. POUR CAOUT. ANTI-VIB.	STOPFEN	.
75	6995253	2	VITE	SCREW	VIS	SCHRAUBE	.
76	6995038	1	GOMMINO ANTIVIBRAN- TE	SHOCK ABSORBER	CAOUTCHOUC ANTI- VIBRATIONS	SCHWINGUNGSDÄMPFER	.
77	6995303	1	GOMMINO ANTIVIBRAN- TE	SHOCK ABSORBER	CAOUTCHOUC ANTI- VIBRATIONS	SCHWINGUNGSDÄMPFER	.
78	6995274	1	TAPPO PER GOMMINO ANTIVIB	CAP	BOUCH. POUR CAOUT. ANTI-VIB.	STOPFEN	.
81	6995279	1	FERMACATENA	CHAIN GUARD	BUTÉE CHAÎNE	KETTENSTOP	.
82	6995262	1	VITE	SCREW	VIS	SCHRAUBE	.
83	6995259	1	VITE	SCREW	VIS	SCHRAUBE	.
84	6995263	1	PIASTRINA	PLATE	PLAQUE	PLATTE	.
100	6995283	1	SERIE GUARNIZIONI	GASKET SET	JEU GARNITURES	SET DICHTUNGEN	.
101	6995315	1	KIT MEMB-GUARNIZ.	DIAPH.-GASKET SET	JEU GARNITURES	SET DICHTUNGEN	.
102	6995288	1	KIT RIPARAZIONE	KIT REPAIR	KIT RÉPARATION	SATZ REPARATUR	.

P

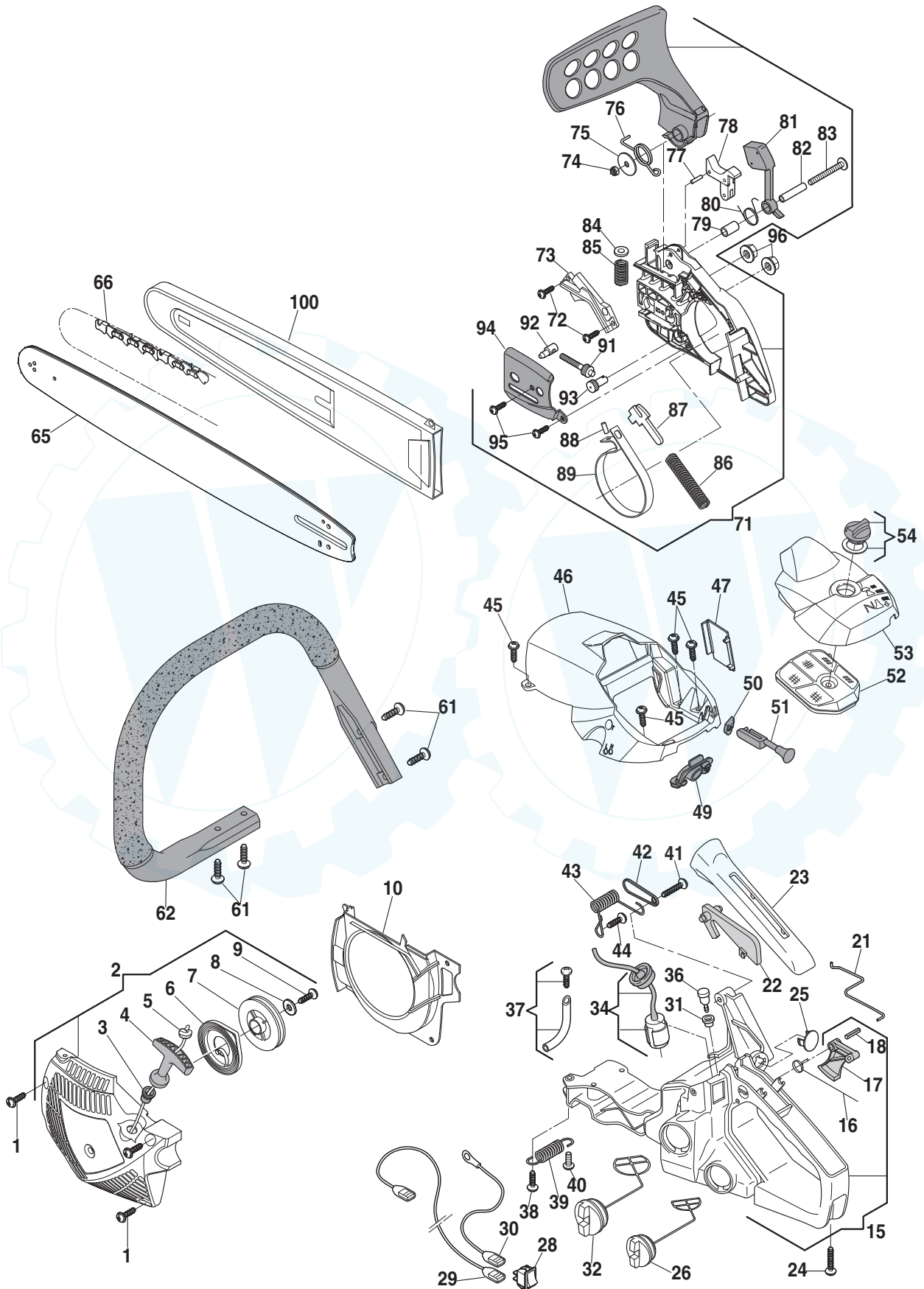
420



2008

252.0

1 / 3



POS.	CODE	Q.TY	DESCRIZIONE	DESCRIPTION	DESCRIPTION	BESCHREIBUNG	REMARKS
1	23878013/0	3	VITE	SCREW	VIS	SCHRAUBE	.
2	83058009/0	1	ASS. AVVIATORE GIALLO	STARTER ASSY YELLOW	DÉMARREUR JAUNE	SET STARTER GELB	.
-	83058010/0	1	ASS. AVVIATORE ROSSO	STARTER ASSY RED	DÉMARREUR ROUGE	SET STARTER ROT	.
-	83058011/0	1	ASS. AVVIATORE ARAN- CIONE	STARTER ASSY ORANGE	DÉMARREUR ORANGE	SET STARTER ORANGE	.
3	23044208/0	1	GOMMINO PASSACAVO	GROMMET	CAOUTCHOUC PASSE- CÂBLE	LIPPKLAMPE	.
4	3750067	1	IMPUGNATURA AVVIA- MENTO	STARTER HANDLE	POIGNÉE DÉMARRAGE	GRIFF STARTER	.
5	23234001/0	1	FUNE AVVIAMENTO	STARTER CORD	CÂBLE DÉMARRAGE	SEIL STARTER	.
6	23430562/0	1	MOLLA AVVIAMENTO	STARTER SPRING	RESSORT DÉMARRAGE	FEDER STARTER	.
7	23604002/0	1	PULEGGIA AVVIAMENTO	STARTER PULLEY	POULIE DÉMARRAGE	RIEMENSCHLEIBE STAR- TER	.
8	23657004/0	1	RONDELLA	WASHER	RONDELLE	UNTERLEGSCHLEIBE	.
9	23878013/0	1	VITE	SCREW	VIS	SCHRAUBE	.
10	23107502/0	1	CONVOGLIATORE ARIA	AIR CONVEYOR	CONVOYEUR AIR	LUFTSAMMELLEITUNG	.
15	6995299	1	ASS. IMPUGNATURA	HANDLE ASSY	ENS. POIGNÉE	SATZ GELBER	.
16	6995114	1	MOLLA LEVA ACCELE- RATORE	SPRING	RESSORT	FEDER GASHEBEL	.
17	6995264	1	LEVA ACCELERATORE	THROTTLE LEVER	LEVIER ACCÉLÉRATEUR	GASHEBEL	.
18	6995016	1	SPINA	PIN	CHEVILLE	STIFT	.
21	6995307	1	TIRANTE ACCELE- RATORE	THROTTLE ROD	TIGE ACCÉLÉRATEUR	SPANNSTIFT GASHEBEL	.
22	6995135	1	LEVA SICUREZZA	SAFETY LEVER	LEVIER DE SÉCURITÉ	SICHERHEITSHBEL	.
23	6995312	1	PORTE SUPERIORE IMPUGNATURA	HANDLE, UPPER PART	POIGNÉE, PARTIE SUPE- RIEURE	GRIFF, OBERTEIL	.
24	6995254	1	VITE	SCREW	VIS	SCHRAUBE	.
25	6995268	1	TAPPO	CAP	BOUCHON	STOPFEN	.
26	6995273	1	TAPPO OLIO	CAP OIL TANK	BOUCHON D'HUILE	ÖLDECKEL	.
28	6995226	1	INTERRUTTORE STOP	SWITCH	INTERRUPTEUR D'ARRÊT	STOP-SCHALTER	.
29	6995310	1	CAVO DI STOP	STOP WIRE	CÂBLE ARRÊT	KABELSPERRE	.
30	6995306	1	CAVO MASSA	EARTH CABLE	CÂBLE MASSE	ERDUNGSKABEL	.
31	6995232	1	GOMMINO	GROMMET	CAOUTCHOUC	GUMMI	.
32	6995260	1	ASS. TAPPO MIX	FUEL TANK-CAP ASS.Y	BOUCHON MÉLANGE	SET DECKEL TREIBSTOFF	.
34	6995300	1	ASS. PESCANTE MI- SCELA	INTAKE FILTER ASSY	PLONGEUR MÉLANGE	TREIFSTOFFLEITUNG	.
36	6995221	1	ASS. VALVOLA SFIATO	BREATHER VALVE ASS.Y	VANNE ÉVENT	SET LÜFTUNGSVENTIL	.
37	6995298	1	ASS. VALVOLA SFIATO	BREATHER VALVE ASS.Y	VANNE ÉVENT	SET LÜFTUNGSVENTIL	.
38	6995002	1	VITE	SCREW	VIS	SCHRAUBE	.
39	6995301	1	MOLLA	SPRING	RESSORT	FEDER	.
40	6995062	1	VITE	SCREW	VIS	SCHRAUBE	.
41	6995002	1	VITE	SCREW	VIS	SCHRAUBE	.
42	6995309	1	PIASTRINA	PLATE	PLAQUE	HALBLECH	.
43	6995302	1	MOLLA	SPRING	RESSORT	FEDER	.
45	23878013/0	4	VITE	SCREW	VIS	SCHRAUBE	.
46	23087005/0	1	COPRICILINDRO GIALLO	CYLINDER COVER YELLOW	COUVRE-CYLINDRE JAUNE	ZYLINDERABD. GELB	.
-	23087006/0	1	COPRICILINDRO ROSSO	CYLINDER COVER RED	COUVRE-CYLINDRE ROUGE	ZYLINDERABD. ROT	.
-	23087007/0	1	COPRICILINDRO ARAN- CIONE	CYLINDER COVER ORANGE	COUVRE-CYLINDRE ORANGE	ZYLINDERABD. ORANGE	.
47	23653500/0	1	TAPPO	CAP	BOUCHON	STOPFEN	.
49	6995308	1	GOMMINO	GROMMET	CAOUTCHOUC	GUMMI	.
50	23275006/0	1	GOMMINO LEVA ARIA	GROMMET	CAOUTCHOUC LEVIER AIR	GUMMI CHOCKERHEBEL	.
51	23315062/0	1	LEVA ARIA	CHOKER LEVER	LEVIER AIR	CHOKERHEBEL	.
52	23220001/0	1	FILTRO ARIA	AIR FILTER	FILTRE À AIR	LUFTFILTER	.